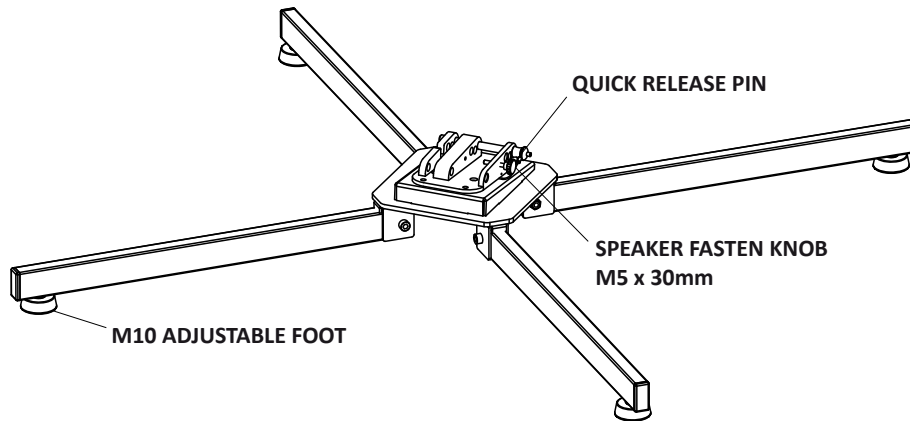


# AX12C FLOOR STAND

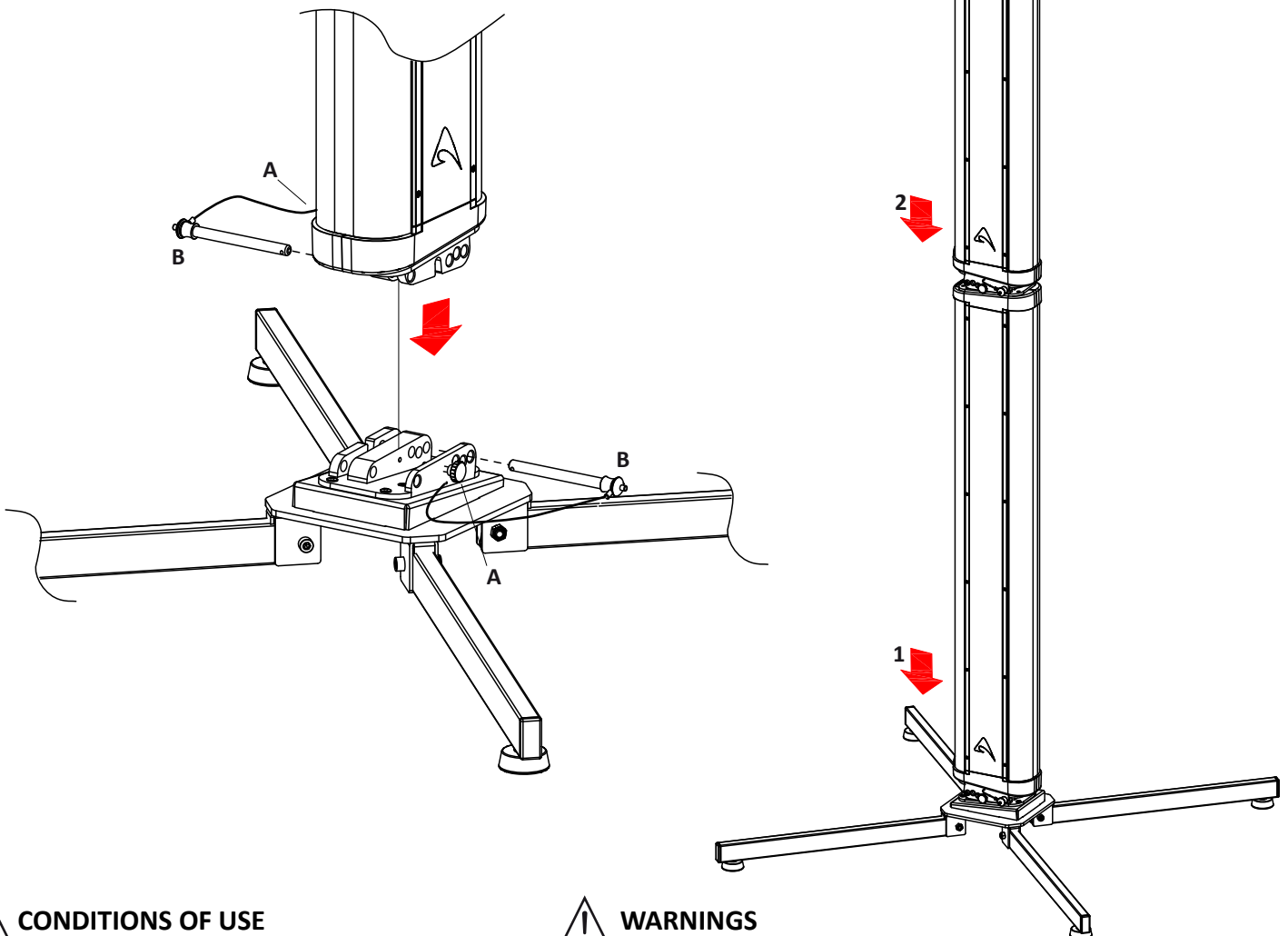
CODE: KPTFAX12C

## SUPPLIED MATERIALS



## ASSEMBLY LAYOUT

- LOOSEN BOTH THE SPEAKER FASTEN KNOBS (A)
- PLACE THE SPEAKER AND FASTEN IT TO THE FLOOR STAND USING THE QUICK RELEASE PINS (B)
- TIGHTEN THE TWO SPEAKER FASTEN KNOBS (A)



## ⚠️ CONDITIONS OF USE

Proel does not accept any liability for damage caused to third parties due to improper installation, use of non-original spare parts, lack of maintenance, tampering or improper use of this product, including disregard of acceptable and applicable safety standards. Proel strongly recommends that this loudspeaker cabinet be suspended taking into consideration all current local regulations. The product must be installed by qualified personnel. Please contact the manufacturer for further information.

## ⚠️ WARNINGS

- A maximum of 2 x AX12C cabinets are allowed to be installed on the KPTFAX12C.
- The ground where the KPTFAX12C floor stand is placed needs to be absolutely stable and compact.
- Adjust the feet so to put the KPTFAX12C perfectly horizontal to ground. Use a spirit level to obtain the best result.
- Always secure ground stacked setups against movement and possible tipping over.